

ORDER CODE: 47KIOSKOUTS (NON-TOUCHSCREEN)

Outdoor Kiosk for Public Displays, non-touchscreen. This enclosure for outdoor Digital Signage is as secure as it is attractive. The solution comes with a slot-in PC, so all the solution requires is a power outlet.

This cabinet is designed for commercial premises, public spaces and other locations in which the flow of visitors places high demands on the media equipment. It discreetly blends into different surroundings. Portrait orientation only. IP65 rated and air-conditioned.

Delivering Genuine Benefits

- 6mm toughened glass
- High-security locks prevent from external damage
- Can be bolted to the floor to be securely held in place
- Simple installation that gives a graceful impression
- Air-conditioned ventilation

iBASE Media Player



- iSMART - for EuP/ErP power saving, auto-scheduler and power resume
- Intel® Atom™ Processor E3845 Quad-Core @ 1.91GHz/E3825 Dual-Core @ 1.33 GHz
- Intel® HD Graphics (Gen 7-LP) 4EU
- 2x DDR3L-1333 SO-DIMM, dual channel, Max. 8GB
- Supports 2x HDMI
- 1x Mini PCI-E(x1) slots for Wi-Fi + Bluetooth, 4GB, and TV tuner board options
- Fanless, super slim and compact design
- Wide operating temperature from -30° C to 60° C

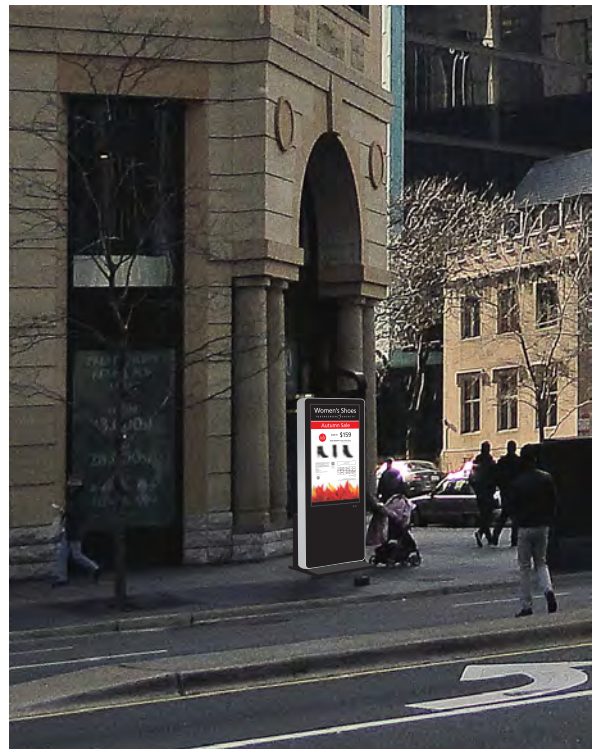


SINGLE BLACK VERSION KIOSK



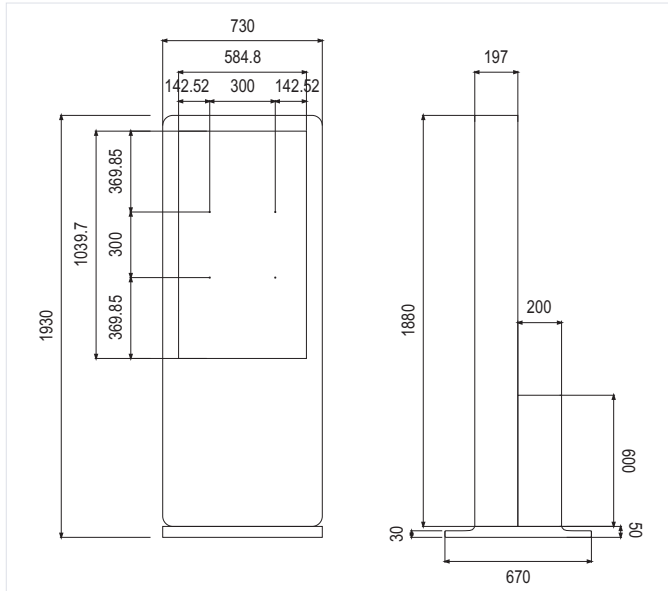
CUSTOM COLOURS AVAILABLE ON REQUEST

OUTDOOR KIOSK



ORDER CODE: 47KIOSKOUTS (NON-TOUCHSCREEN)

TECHNICAL DRAWINGS FLOOR STAND 47 SINGLE



TECHNICAL SPECIFICATIONS

ORDER CODES	
Outdoor Single 47 Black Kiosk	47KIOSKOUTS (non-touchscreen)
CABINET	
Finish	Black, custom colours also available on request
Casing	Robust coated metal of thickness 1, 5-3mm - fan ventilation
Glass	6mm toughened glass (MQO x10 units for anti glare glass)
ORIENTATION	
	Portrait
LOCK	
	Two drill-proof locks (with keys)
PACKAGE DIMENSIONS (W x H x D)	
Floor Stand Single	1930 x 730 x 670
WEIGHT OF TOTEM	
47" Outdoor Cabinet	140 kg
VESA Bar 400x400	0,95 kg
SHIPPING CONTENT	
	Kiosk cabinet, key for locking the cabinet
SUPPORTED PUBLIC DISPLAYS	
	LCD Display
CERTIFICATES / STANDARDS	
	CE, RoHs
WARRANTY	
	3 year conditional warranty
ELECTRICAL	
	Ambient Temperature 35° - Power Consumption 989W
COOLING SYSTEM SPECIFICATIONS	
	Refrigeration Output 1000W - Heating Operating Temperature 0-15° C - Cooling Operating Temperature 20-45° C - Factory Default Temperature 32° C - Climate Controlled